

Golden Disc

Wall

DESIGN | PAOLO CASTELLI



Finishes of the above picture



Bovine Leather
Col. 634 Oasi



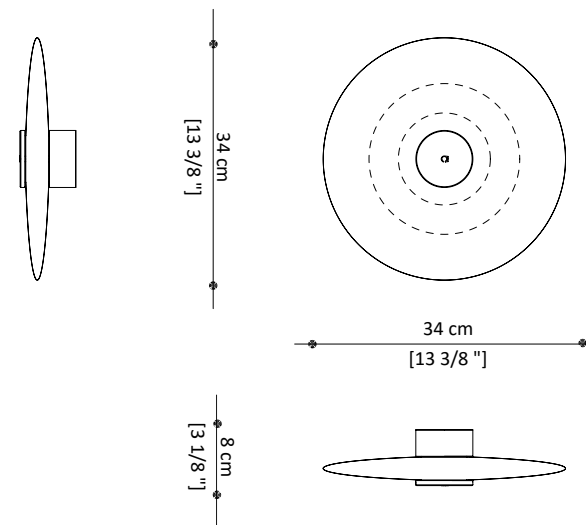
Muranese glass with
24KT golden leaf
powder



Metal Finish
Matt Gold

Preziosa lampada a parete interamente realizzata a mano secondo le più antiche tradizioni muranesi. L'elemento, realizzato in vetro di Murano con un triplo passaggio di foglia d'oro 24Kt, è agganciato a un corpo metallico in finitura oro opaco che alloggia al suo interno la sorgente led e il proprio driver.

Precious wall lamp entirely handmade according to the most ancient Murano traditions. The element, made of Murano glass with a triple passage of 24Kt gold leaf, is hanged to a metal body in mat gold finish which hosts the LED source and its driver inside.



TECHNICAL SHEET
GOLDEN DISC WALL
Light source: LED
Total power: 4W
Voltage: 220-240 V
Rated luminous flux: 315 Lm
Colour temperature: 3000° K
Colour rendering index: Ra > 90
Dimmer function: No
Weight: Kg 10
Package size: 55 x 50 x 25 cm
Package weight: Kg 26
Package volume: Kg 0,10

GOLDEN DISC WALL | ILL.DISC.500
Metal disc finished matt-gold
Muranese glass with 24KT golden leaf powder